

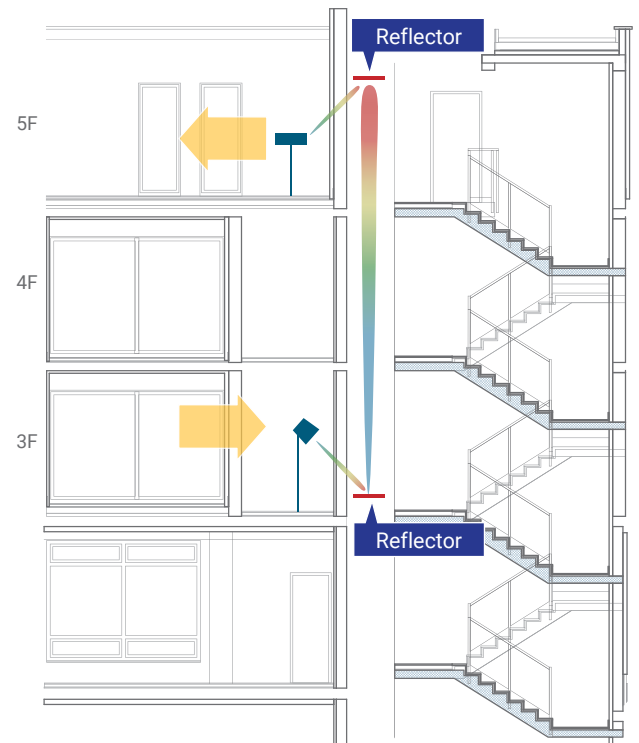
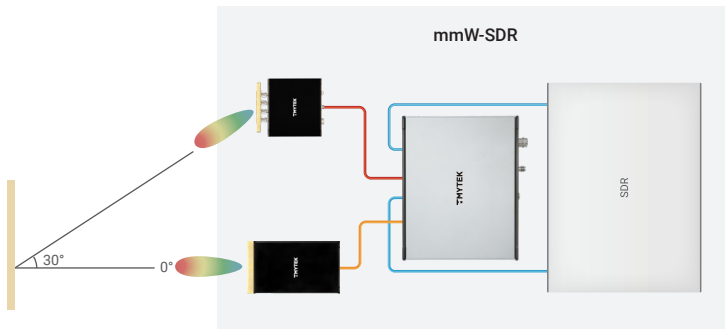
Extend Signal Cross Floors by XRifle Reflector

What can you do

- Extend signal cross different area - room, floor
- Utilize the cable pipes for signal extension

Who need this solution

- Telecom operator
- Network system integrator
- Private network solution provider
- Reflector researcher and developer



What's inside

Hardware: mmW-Coverage Solution

- TMYTEK UD Box 5G: Frequency up/down convertor
- TMYTEK BBox: Beamformer (n257, n258, n260, n261)
- TMYTEK XRifle Reflector: (8 types of IN/OUT angle)
- NI Ettus USRP X410 or SG/SA: Signal source and analyzer



Software:

- TMYTEK UD Box/BBox Control GUI
- TMYTEK UD Box/BBox Control API: Python, LabView, C++, C#, MATLAB

